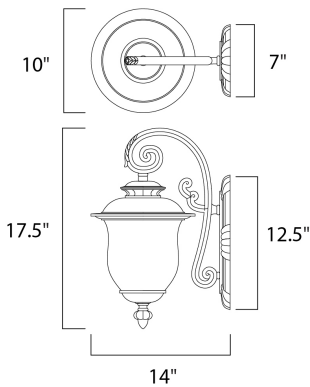




**PRODUCT DESCRIPTION**

Cambridia Cast is a transitional style collection from Maxim Lighting International in Chocolate finish with Frost Crackle glass.



**MEASUREMENTS**

DIMENSION : 10." W x 17.5" H x 14." Ext  
 BACK PLATE : 7." W x 12.5" H x 11." HCO  
 HANGING WEIGHT : 8.82 lb

**LAMPING**

INPUT VOLTAGE : 120V  
 LUMENS : 1,344 Rated (0 Del.)  
 BULB : 2 x 40W (NOT INCLUDED), 80W Total  
 DIMMABLE : Dimmable

**FINISHES OPTION**

Chocolate CH



**GLASS**

Frost Crackle FC

**MATERIAL**

Die Cast Aluminum

**RATINGS**

Wet Location  
 Dimmable



**ADDITIONAL**

INSTALL UP/DOWN:  
 RATED LIFE 1500 Hours  
 OPERATING TEMPERATURE:  
 -20°C (-4°F), 40°C (104°F)

PHOTOMETRIC: Report Found Online

Always consult a qualified electrician before installing any lighting product.



**WESTERN DISTRIBUTION CENTER (HEADQUARTER)**  
 253 NORTH VINELAND AVE | CITY OF INDUSTRY, CA 91746

**EASTERN DISTRIBUTION CENTER**  
 4200 SHIRLEY DR. | ATLANTA, GA 30336

P. 626.956.4200 | F. 626.956.4225 | maximlighting.com