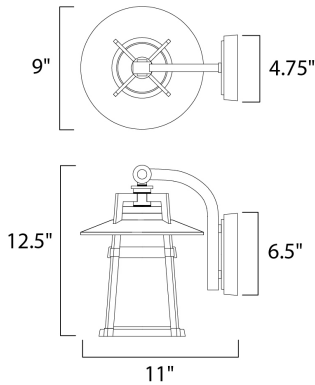




**PRODUCT DESCRIPTION**

The Calistoga Collection is where classic, yet contemporary, style meets energy efficiency. With a Die Cast aluminum frame constructed in sleek lines and finished in Adobe, this collection features an integral hood with a Satin White conical shade, casting light downward. The collection is also available in LED (Calistoga LED) and Incandescent (Calistoga).



**MEASUREMENTS**

DIMENSION : 9." W x 12.5" H x 11." Ext  
 BACK PLATE : 4.75" W x 6.5" H x 6.5" HCO  
 HANGING WEIGHT : 3.96 lb

**LAMPING**

INPUT VOLTAGE : 120V  
 LUMENS : 1,355 Rated (0 Del.)  
 BULB : 1 x 18W (INCLUDED), 18W Total  
 COLOR\_TEMP : 2700K

**FINISHES OPTION**

Adobe AE



**GLASS**

Satin White SW

**MATERIAL**

DIE CAST ALUMINUM

**RATINGS**

Wet Location



**ADDITIONAL**

INSTALL UP/DOWN:  
 RATED LIFE 10000 Hours  
 OPERATING TEMPERATURE:  
 -20°C (-4°F), 40°C (104°F)

Always consult a qualified electrician before installing any lighting product.



**WESTERN DISTRIBUTION CENTER (HEADQUARTER)**  
 253 NORTH VINELAND AVE | CITY OF INDUSTRY, CA 91746  
**EASTERN DISTRIBUTION CENTER**  
 4200 SHIRLEY DR. | ATLANTA, GA 30336  
 P. 626.956.4200 | F. 626.956.4225 | maximlighting.com