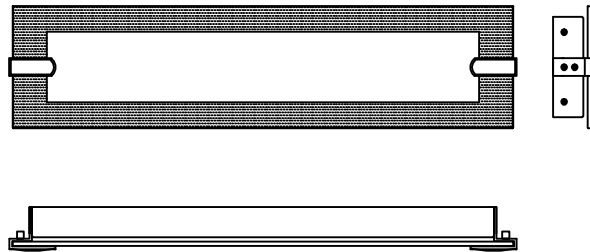




PRODUCT NAME: Trim LED Vanity  
ITEM NUMBER: 87622/87624/87626

Please consult your electrician for hanging fixture and wiring.



**WARNING:**

**This fixture is designed to dim with an Electronic Low Voltage dimmer. Dimming levels will vary by dimmer.**

**Below is a List of Recommended Dimmers:**

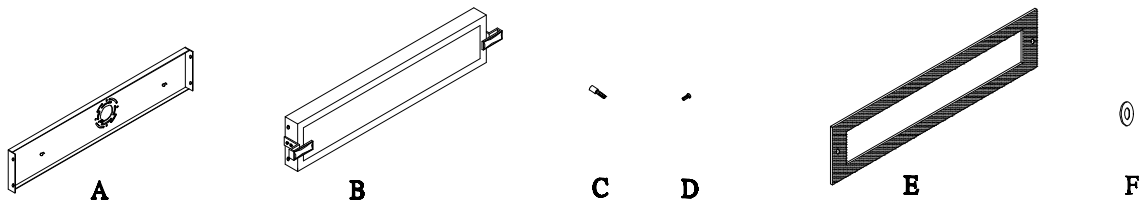
**Lutron MACL-153M**

**Leviton IPL06-10Z**

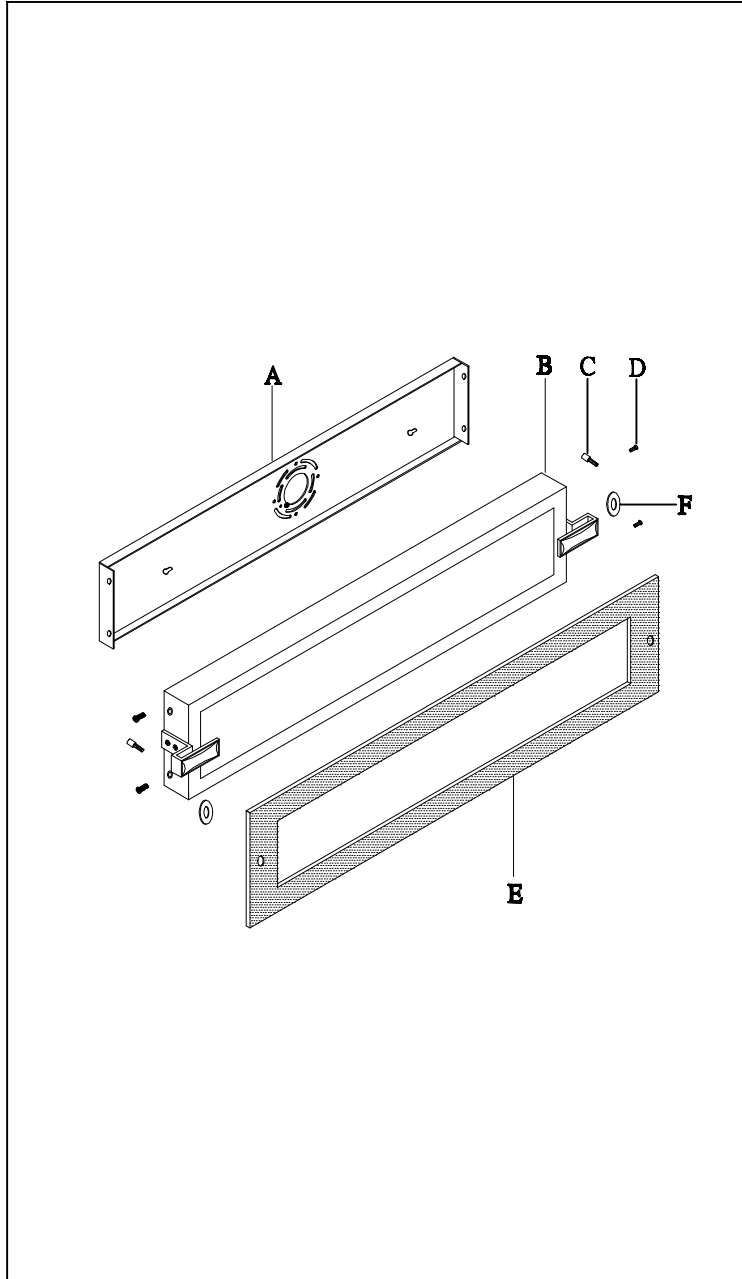
**Due to inrush current, wattage should not exceed 150 Watts of product for a 600 Watt dimmer.**

LED included

**IMPORTANT: Turn off the power at the main fuse or circuit breaker box before starting installation**

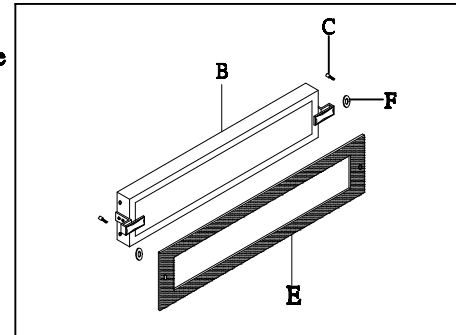


**Locate all hardware & components before discarding packaging**

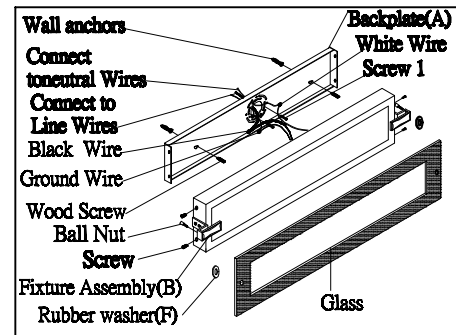


**Black Wire**

1.)



**Step.1: Put the glass(E) into the fixture assembly(B), then secured by Rubber washer(F) and Ball nut(C). By the way, the Rubber washer(F) and Ball nut(C) were packed into the canopy kit**



2.)

**Step.2: Attach the brackets to fixture assembly (B). Slide glass (E) into brackets and secure using Screw**

**Cleaning & Care:**

Clean with soft cloth and a mild detergent.  
Do not use abrasive cleaner.