

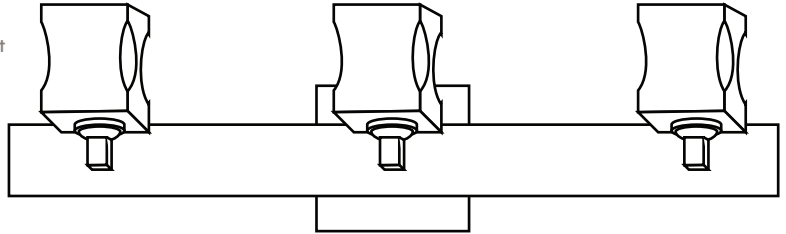


# INSTALLATION INSTRUCTIONS

## IMPORTANT

Before assembling your access lighting fixture, please make sure that you carefully read through these instruction sheets. Consider having your fixture installed by a qualified licensed electrician.

**NOTE:** The important safeguards and instructions that appear in this manual are not meant to cover all possible conditions and situations that may occur. It must be understood that common sense, caution and care, are factors that can't be built into any product. These factors must be supplied by the person(s) caring for and operating the fixture.



## GENERAL INFORMATION

All electrical connections must be in accordance with all ordinances, Local and National Electrical Codes. These fixtures are intended for mounting to a standard 4" x 2 1/2" metal octagon outlet box. The box must be directly supported by the building structure and U.L. Recognized.

## STEP BY STEP INSTRUCTIONS

Before starting your installation disconnect the Power by turning off the Circuit Breaker or by removing the fuse at the fuse box. Just turning the light off at the light switch is not sufficient to prevent electrical shock.

## COLLECTION

## APPLICATION

## MODEL NO.

Wall Fixture

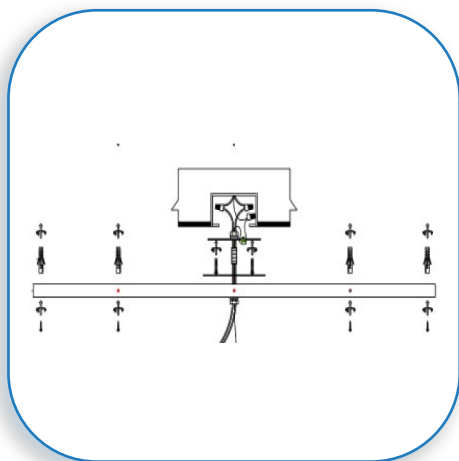
23917

## WHAT WE PROVIDE

- Back Plate
- Mounting Hardware
- Mounting Plate
- Front Plate with Fixture
- 3 x Glass Shades
- 3 x 60W G9 Bulbs

## WHAT YOU NEED

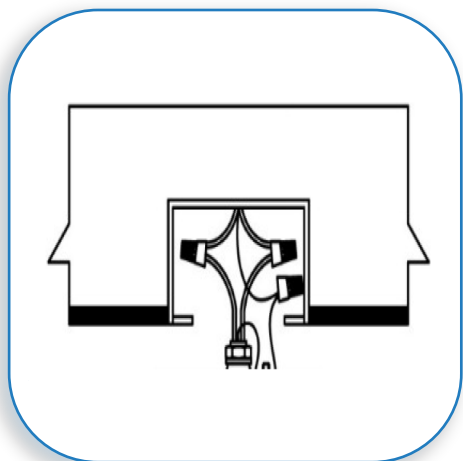
- Screwdriver
- Wire Cutters
- Wiring Supplies as Specified by Electrical Code



## MOUNT CROSSBAR

1

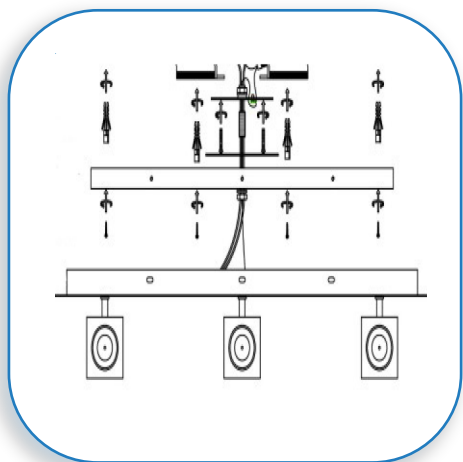
If there is an existing fixture remove it. Hold the fixture up to the j-box, mark the location on the wall for the supports. Drill holes and insert the supplied wall anchors. Expose the supply wires. Mount the crossbar to the J-box with the supplied screws.



2

### CONNECT THE WIRES

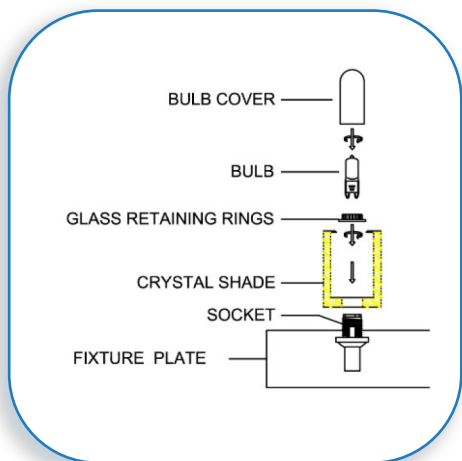
Connect the black supply wire to the black fixture wire. Secure with the supplied wire nuts. Connect the white supply wires to the white fixture wire. Secure with the supplied wire nuts. Either wrap the green wire around one of the protruding screws or connect it to the supply ground wire. Secure all wire with U.L. Certified electrical tape (not supplied). Tuck all wires carefully into the J-Box.



3

### MOUNT THE BACK AND FRONT PLATES

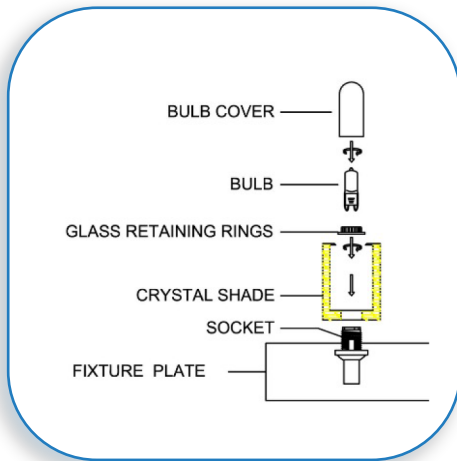
Adjust the floating canopy to position it such that it covers the j-box. Mount the back plate to the wall by inserting the supplied screws into the anchors. Fit the front plate over the back plate. Align so that the holes at the top and bottom of both plates line up. Secure with the supplied screws.



4

### SECURE THE GLASS SHADES

Place the glass shade over the socket. Use the glass retaining ring to secure the glass shade by screwing it onto the threaded portion of the socket.



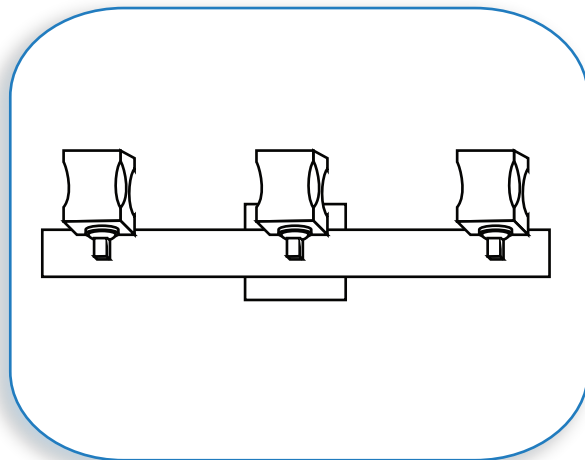
5

**INSERT THE BULBS**

Insert the supplied bulbs. Handle bulb with supplied cloth, do not handle with bare hands.

MAXIMUM WATTAGE 60W.

DO NOT EXCEED THE WATTAGE AS STATED ON THE WARNING LABEL AND IN THE INSTRUCTION SHEETS



6

**RESTORE THE ELECTRICITY AND CHECK THE OPERATION OF YOUR NEW ACCESS FIXTURE**

**CAUTION** Please ensure that the fitting is cool and switched off before replacing the bulb. DO NOT use bulbs that might exceed the maximum wattage, stated on caution label.